

MX1 Mobile Ease Lift

- 72" high mast
- Manual wire rope winch
- Rear swivel casters
- Front rigid casters
- Quick on-the-fly tool changes

The MX1 Mobile Ease Lift is a light weight standard frame portable lift unit that has a lifting capacity of 300 pounds and is easily maneuvered around tight spaces. Use it for lifting just about anything with less effort. It can be used as a workstation, bringing the work up to a comfortable ergonomic level. Or it can also be used to assist in the installation of equipment by raising an object up, to be placed or bolted to its matting part.

With the quick on-the-fly tool changes shop personnel can safely pick and place all types of products, with few limitations transporting them around the plant floor.

Standard tooling options are available, engineered tooling available upon request.



Optional Tooling:



Bucket Lift Tool



Propane Tank Tool



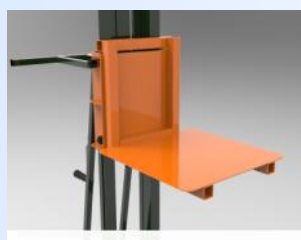
Fork Tool



Jib Tool



Roll Probe Tool



Shelf Tool



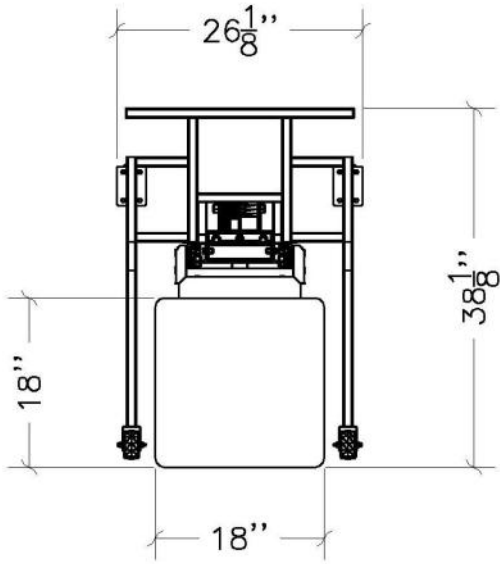
Cable Reel Tool



Tire Tool

MX1 Mobile Ease Lift

Operating Dimensions and Specifications



MX1 Mobile Ease Lift Standard Models

Model No.	Lift Height	O.A. Height	Lifting Power Options	Lifting Speed (FPM)	Capacity (12" from back plate)	Shipping Weight (lbs.)
MX1-72SH	58 1/4"	73 1/2"	Manual	1	300	235

